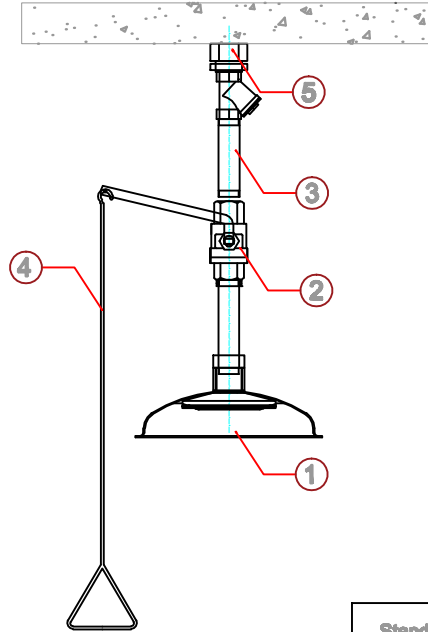


ПОТОЛОЧНЫЙ АВАРИЙНЫЙ ДУШ ДЛЯ ТЕЛА

15024020



Standarts: EN 15154-1
 Water Flow: 11,5 lt / min for Eyewash
 75 lt / min for Shower
 Total Weight: 4,3 kgs
 Packed Dimensions: 81 x 32 x 22 cm

Static test pressure : 7 bar
 Min using pressure : 1,4 bar
 Max using pressure : 2,8 bar

NO.	DESCRIPTION	MATERIAL
5	Water Inlet 1"	Stainless Steel
4	Pull Rod	Stainless Steel
3	Pipes	Stainless Steel or Galvanized
2	1" Ball Valve	Stainless Steel or Brass
1	Shower head Bowl (Ø300mm)	Stainless Steel or Carbon Steel

	REV. DATE	DESCRIPTION	DESIGNED	CHECKED	APPROVED	CUSTOMER PRODUCT 15024020		
	A FIRST ISSUE	08 FA ST	SIZE A4	SCALE 1/100	DRAWING NUMBER/DATE: 11017		SHEET: 1 OF: 1	DRAWING NAME: Потолочный аварийный душ для тела
STATUS FOR INFORMATION <input type="checkbox"/> FOR REVIEW <input type="checkbox"/> FOR APPROVAL <input type="checkbox"/>	FOR RFO/DESIGN <input checked="" type="checkbox"/>		ORIGINAL EDITION DESIGNED <input checked="" type="checkbox"/> 08 CHECKED <input checked="" type="checkbox"/> FA APPROVED <input checked="" type="checkbox"/> ST	SIZE A4	SCALE 1/100	DRAWING NUMBER/DATE: 11017	SHEET: 1 OF: 1	DRAWING NAME: Потолочный аварийный душ для тела